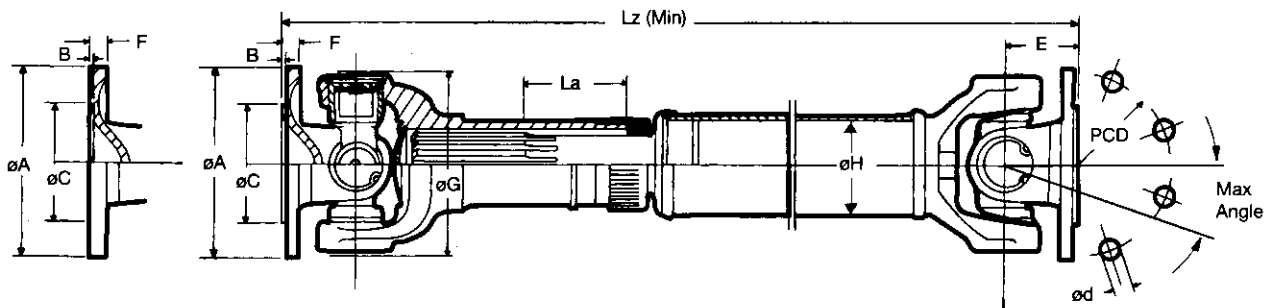


D.I.N.

S.A.E.



Telescopic Driveshafts (Shaft Type A)

RATING Tsd (Nm)	SERIES	PART NUMBER	MAX ANGLE	$\varnothing A$	B	$\varnothing C$	PCD	No. / $\varnothing d$	E	F	$\varnothing G$	$\varnothing H$	Lz (Min.)	La (Ext.)	WEIGHT (Lz Min.)
SAE IMPERIAL FLANGE FITTINGS															
570	25	25A060648	20°	87.3	1.6	57.15	69.85	4 / 8	30.2	5.2	76.2	50.8	290	42.9	3.5
990	35	35A040448	20°	96.8	1.6	60.325	79.38	4 / 9.5	35	6.7	97	50.8	350	50.8	4.5
		35A040425	20°	96.8	1.6	60.325	79.38	4 / 9.5	35	6.7	97	63.5	350	50.8	5
2050	45	45A080827	20°	115	1.6	69.85	95.25	4 / 11.1	42.9	7.6	122	76.2	405	57	7.4
3120	55	55A515127	20°	146	1.6	95.25	120.65	4 / 12.7	63.5	9.1	136	76.2	475	60	13.9
DIN METRIC FLANGE FITTINGS															
570	25	25A292948	20°	90	2.6	47	74.5	4 / 8	40	6	76.2	50.8	310	42.9	3.5
990	35	35A050548	20°	100	2.6	57	84	6 / 8	48	7	97	50.8	376	50.8	4.5
		35A050525	20°	100	2.6	57	84	6 / 8	48	7	97	63.5	376	50.8	5
2050	45	45A111127	20°	120	2.6	75	101.5	8 / 8	56	8	122	76.2	431	57	7.4
		45A121227	20°	120	2.6	75	101.5	8 / 10	56	8	122	76.2	431	57	7.4
3120	55	55A535327	20°	120	2.6	75	101.5	8 / 10	75	8	136	76.2	498	60	13.9
		55A545427	20°	150	2.6	90	130	8 / 12	86	10	136	76.2	520	60	13.9

NOTE:

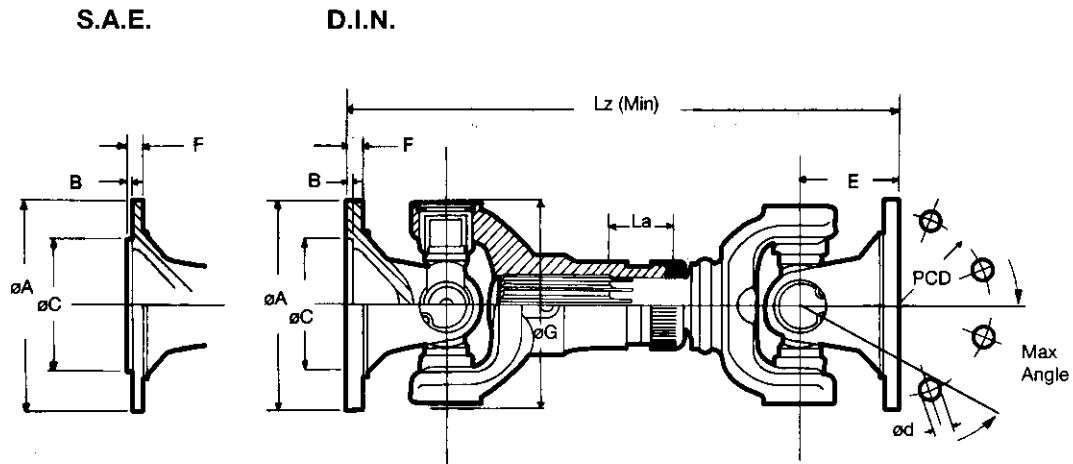
PCD = Pitch Circle Diameter
 Tsd (Nm) = Short duration torque
 Lz = Compressed length
 La = Extension

All dimensions in millimetres
 Shaft weight in kilograms
 Holes in SAE Flanges are not equi-spaced



TRANSMISSIONER
KEMIPUMPAR

Box 5844, 102 48 Stockholm
 Tel. 08-667 30 00 · Fax 08-660 78 46



Short Coupled Driveshafts (Shaft Type Y)

RATING Tsd (Nm)	SERIES	PART NUMBER	MAX ANGLE	øA	B	øC	PCD	No. / ød	E	F	øG	Lz (Min.)	La (Ext.)	WEIGHT Lz (Min.)
SAE IMPERIAL FLANGE FITTINGS														
570	25	25Y060600	20°	87.3	1.6	57.15	69.85	4 / 8	30.2	5.2	76.2	178 - 235	19 - 43	3.2
990	35	35Y040400	20°	96.8	1.6	60.325	79.38	4 / 9.5	35	6.7	97	225 - 300	20 - 50	4.1
2050	45	45Y080800	20°	115	1.6	69.85	95.25	4 / 11.1	42.9	7.6	122	240 - 365	20 - 57	7.5
3120	55	55Y515100	20°	146	1.6	92.25	120.65	4 / 12.7	63.5	9.1	136	348 - 445	32 - 60	13.3
DIN METRIC FLANGE FITTINGS														
570	25	25Y292900	20°	90	2.6	47	74.5	4 / 8	40	6	76.2	198 - 255	19 - 43	3.2
990	35	35Y050500	20°	100	2.6	57	84	6 / 8	48	7	97	251 - 326	20 - 50	4.1
2050	45	45Y121200	20°	120	2.6	75	101.5	8 / 10	56	8	122	266 - 391	20 - 57	7.5
3120	55	55Y545400	20°	150	2.6	90	130	8 / 12	86	10	136	393 - 490	32 - 60	13.3

NOTE:

The above Driveshafts are standard assemblies. Shorter Coupled Driveshafts can be manufactured using special parts. Contact our Technical Sales Department for more information.

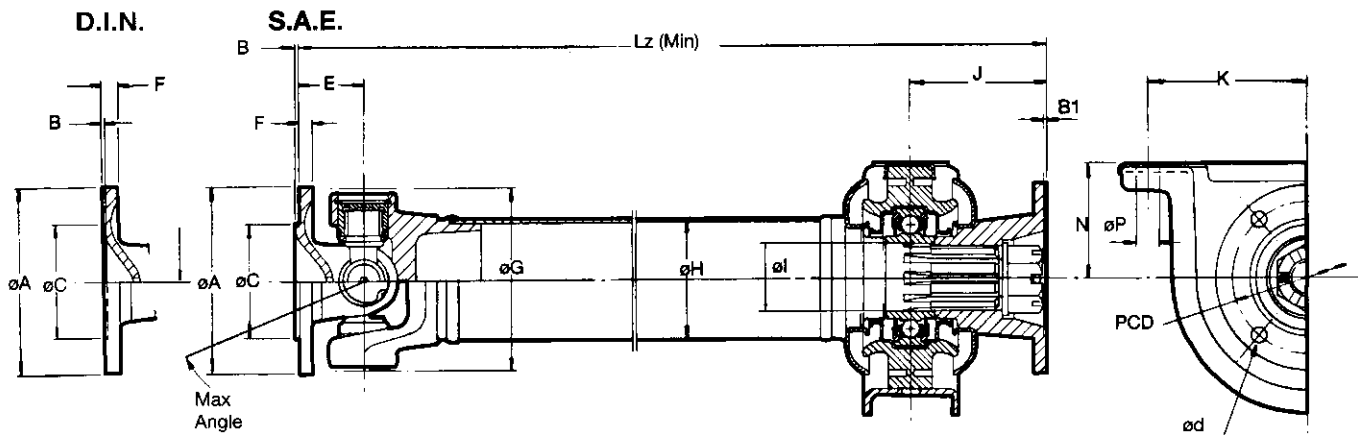
PCD = Pitch Circle Diameter
 Tsd (Nm) = Short duration torque
 Lz = Compressed length
 La = Extension

All dimensions in millimetres
 Shaft weight in kilograms
 Holes in SAE Flanges are not equi-spaced



TRANSMISSIONER
KEMIPUMPAR

Box 5844, 102 48 Stockholm
 Tel. 08-667 30 00 · Fax 08-660 78 46



Midship Driveshafts (Shaft Type M)

RATING Tsd (Nm)	SERIES	PART NUMBER	MAX ANGLE	øA	B	B1	øC	PCD	No. / ød	E	F	øG	øH	øI	J	K	øP	N	Lz (Min.)	WEIGHT Lz (Min.)
SAE IMPERIAL FLANGE FITTINGS BOTH ENDS																				
990	35	35M040448	20°	96.8	1.6	1.9	60.325	79.38	4 / 9.5	35	6.7	97	50.8	35	73.2	84.1	12.7	57.9	275	4.9
		35M040425	20°	96.8	1.6	1.9	60.325	79.38	4 / 9.5	35	6.7	97	63.5	35	73.2	84.1	12.7	57.9	275	5.4
2050	45	45M080827	20°	115	1.6	2.3	69.85	95.25	4 / 11.1	42.9	7.6	122	76.2	40	82.6	84.1	12.7	62.7	300	7.8
3120	55	55M515127	20°	146	2	3.3	95.25	120.65	4 / 12.7	64	9.1	136	76	40	83	84	12.7	63	335	14.3
DIN METRIC FLANGE FITTING WITH SAE FLANGE FITTING AT BEARING END																				
990	35	35M050448	20°	100	2.6	1.9	57	84	6 / 8	48	7	97	50.8	35	73.2	84.1	12.7	57.9	288	4.9
		35M050425	20°	100	2.6	1.9	57	84	6 / 8	48	7	97	63.5	35	73.2	84.1	12.7	57.9	288	5.4
2050	45	45M110827	20°	120	2.6	2.3	75	101.5	8 / 8	56	8	122	76.2	40	82.6	84.1	12.7	62.7	313	7.8
		45M120827	20°	120	2.6	2.3	75	101.5	8 / 10	56	8	122	76.2	40	82.6	84.1	12.7	62.7	313	7.8
3120	55	55M535127	20°	120	3	3.3	75	101.5	8 / 10	75	8	136	76	40	83	84	12.7	63	335	14.3
		55M545127	20°	150	3	3.3	90	130	8 / 12	86	10	136	76	40	83	84	12.7	63	335	14.3

NOTE:

PCD = Pitch Circle Diameter
 Tsd (Nm) = Short duration torque
 Lz = Minimum Fixed length

All dimensions in millimetres
 Shaft weight in kilograms
 Holes in SAE Flanges are not equi-spaced



TRANSMISSIONER
 KEMIPUMPAR

Box 5844, 102 48 Stockholm
 Tel. 08-667 30 00 · Fax 08-660 78 46